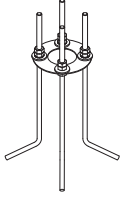
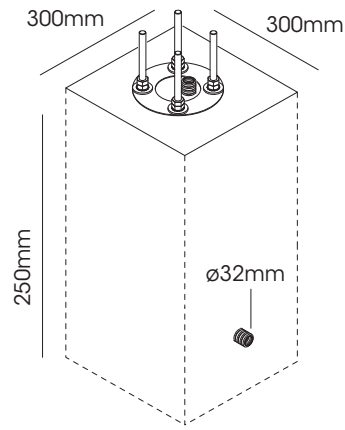
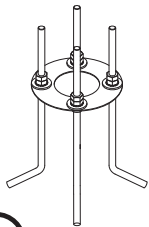


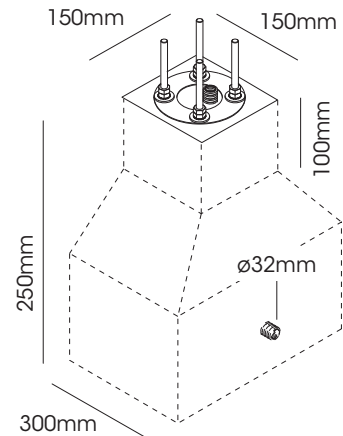
**BOLLARD 1**  
cod. F023Z050000



**BOLLARD 2**  
cod. F023Z060000

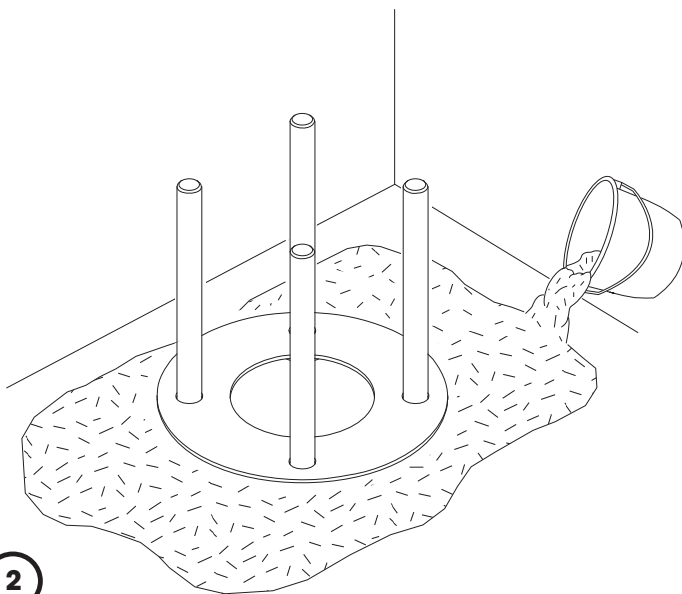


PAVIMENTAZIONE  
FLOORING

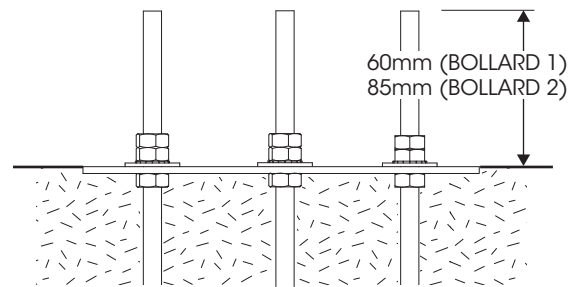


ERBA  
GRASS

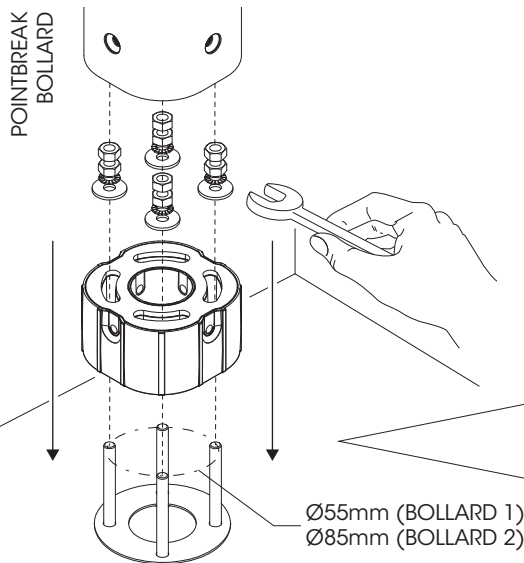
1



- Cementare la piastra a filo pavimento
- The plate has to be concrete, flush with the surface



2

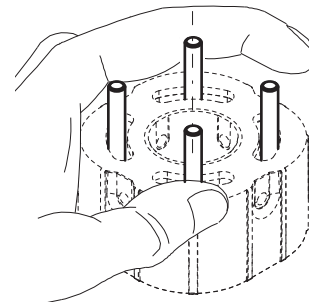


POINTBREAK  
BOLLARD

Ø55mm (BOLLARD 1)  
Ø85mm (BOLLARD 2)



+/- 45°



NO

OK

NO

Camminamento - Walkway

3